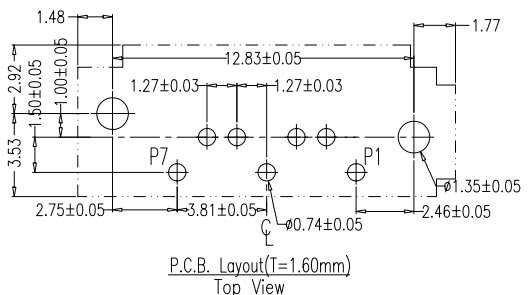
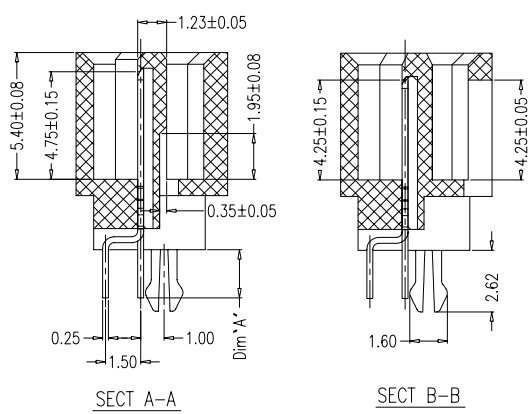
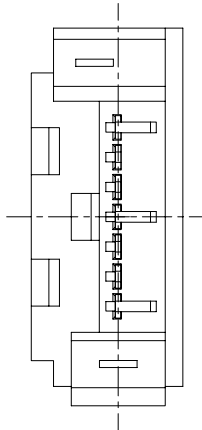
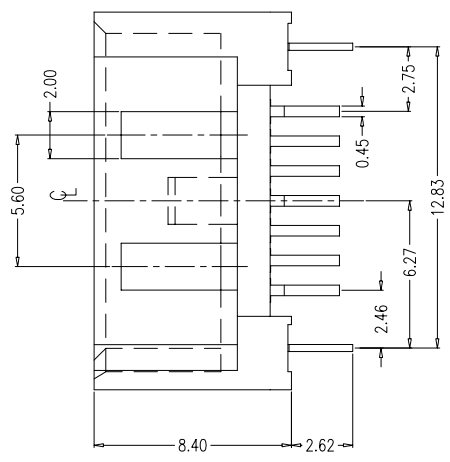
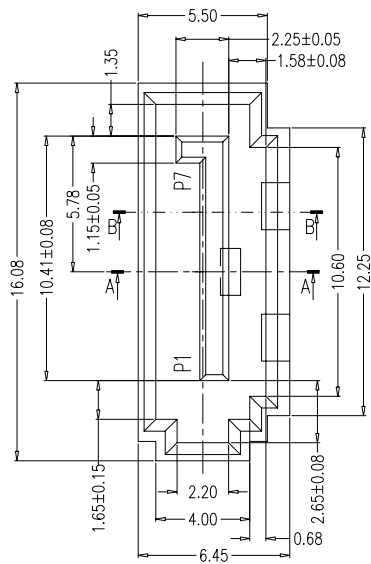


RevNo		Date	Signature	Checked
-------	--	------	-----------	---------

A  
B  
C  
D  
E  
F

A  
B  
C  
D  
E  
F



Unit: mm

Part Number	Dim "A"
WATM-07ABN4B2B8U	2.15~2.30
WATM-07ABN4B3B8U	2.80



**NOTES:**

**\*Material**

Housing: LCP or Nylon46, UL 94V-0 rated, Color: Black.  
 Contact: Brass;  
 Plating: Gold Plating Over Nickel on Contact Area; Tin Plating on Solder Tail.

**\*Mechanical**

Insertion Force: 45N Max.  
 Withdrawal Force: 10N Min.  
 Durability: 500 Cycles.

**\*Electrical Specification**

Current Rating: 1.5 Ampere per contact;  
 Contact Resistance: 30 Milliohms max.  
 Insulation Resistance: 1000 megohms min.  
 Dielectric Withstanding Voltage: 500 V DC.

**\*Environmental**

Operating Temperature: -55°C to +85°C.

**\*How to Order**

WATM-07ABN4B2B8U  
 Blank:Black 3:White 4:Blue 5:Yellow 6:Red(187C)7:Green  
 U:Lead Free  
 8:Press Metal Fork Type Post  
 B:Shield(Two Hold)  
 B2:Straiight DIP B Type(Lenght Pin 2.15~2.30mm)  
 B3:Straiight DIP B Type(Lenght Pin 2.80mm)  
 N4:Nylon46  
 B:Brass  
 Gold A:Flash B:5u" C:10u" D:15u"  
 NO. of Contacts  
 Serial ATA for Mother

DRAW.BY	Eric_Lin	DATE	2010-04-06	UNIT	MM	TOLERANCE	X ±0.30 XX ±0.25 XXX ±0.150	Ang. ±2°
APPVL.BY		VERSION	A	SCALE		DWG.No.	F:/XX/ / +	

Chin Shong  
Enterprise CO., LTD.

ITEM	WATM 7P Straight DIP B Type Shield (Two Hold) Male
PART No.	
CUSTOMER	