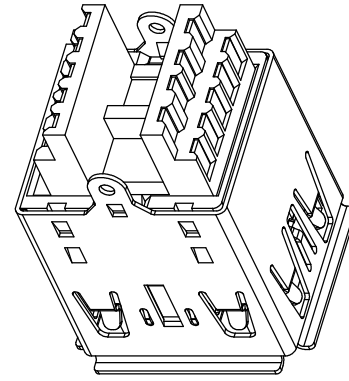
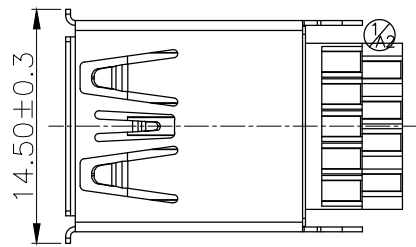
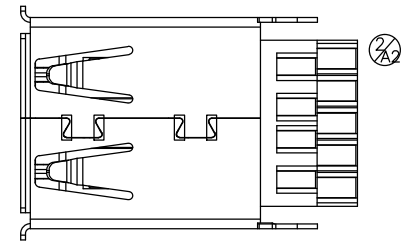
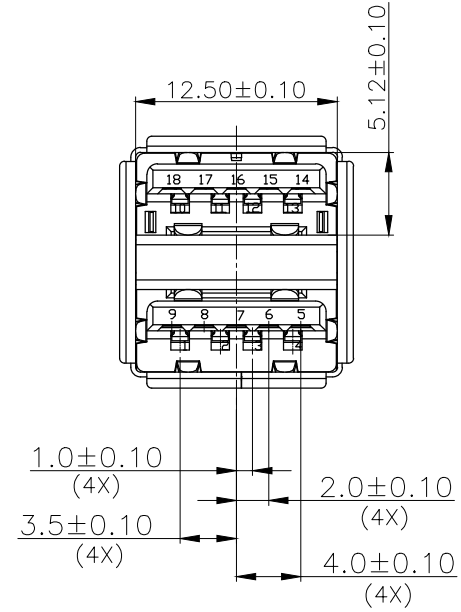
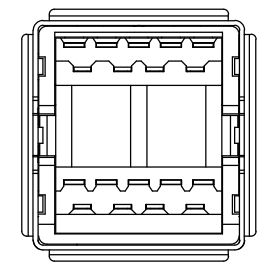
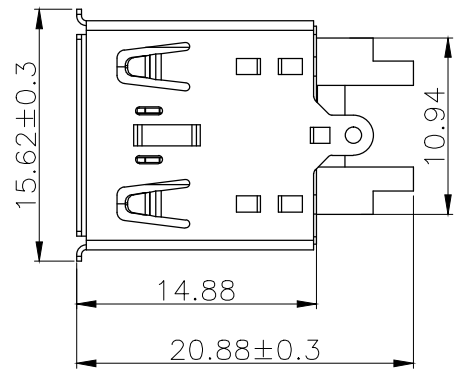

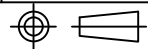


Rev.	Description	Date	Drawn	Checked
A	Initial Release	2018.08.05	WZ	



SPECIFICATIONS:
 Contact current Rating:
 1.8 Amperes for pin1&pin4.
 0.25 Amperes other contacts
 Dielectric Withstanding Voltage:AC 100V(RMS)
 Insulation resistance:100Megohms Minimum.
 Contact Resistance:
 30mΩ Max for pin1&pin4
 50mΩMax for other contacts
 Mechanical Characteristics:
 Mating Force:35 Newtons.Maximum
 Unmating Force:10 Newtons.Minimum.
MATERIAL: 8N Min After Durability
 Housing: PBT+30%GF 94V-0 COLOR:BLUE
 Contact: copper alloy(T=0.25mm)
 Shell: Brass
PLATING:
 Contact: Au Plated on contact area
 Tin Plated on solder area
 Nickel underplating over all
 Shell: Nickel Plated
 operating Temperature:-55iãto+85iã



GENERAL TOLERANCE: X. ±0.40 Ang. ±2° .X ±0.30 .XX ±0.20 .XXX ±0.10		DRAWN : WZ		 慶嵩企業股份有限公司 <i>CHINSHONG ENTERPRISE CO.,LTD.</i>	
UNIT: mm SCALE: Free		APPROVED :			
PROJECTION: 		DATE : 2018.08.05		TITLE USB 3.0 AF雙層180°焊線(D款無缺口)	
DWG. No.		VERSION: A		PART No.	