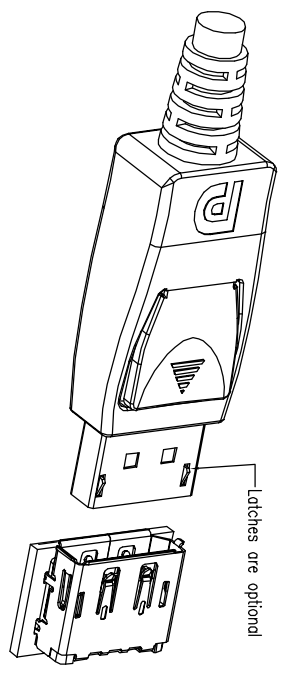
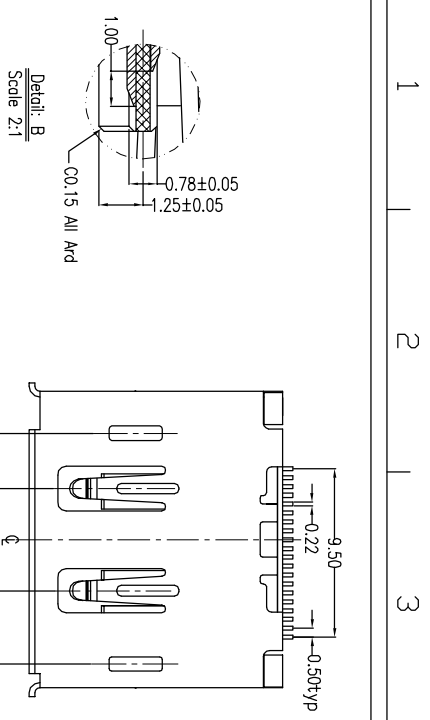
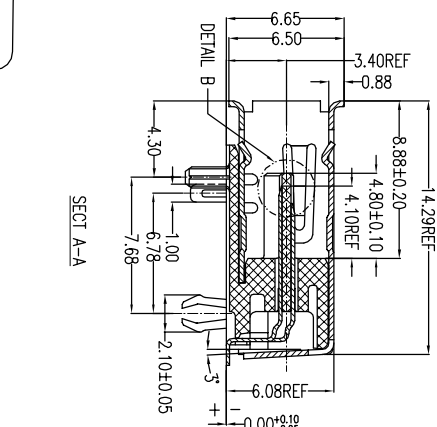
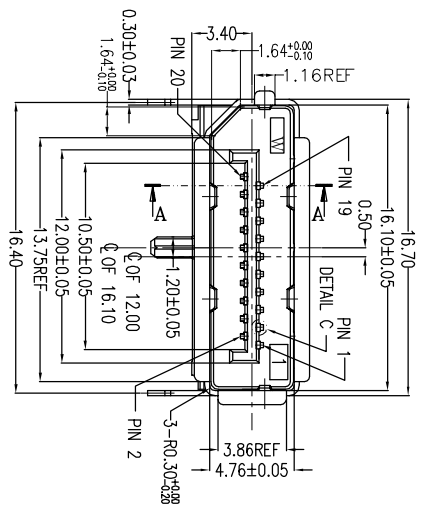


Rev.	Description	Date	Drawn	Checked



NOTES:

***Material**
Housing: LCP, UL 94V-0 Rated; Color: Black.
Shield: Brass.
Plating: Nickel(40~80u") Plating .
Contact: Brass.
Plating: Gold Plating Over Nickel(40~80u") on
Contact Area; Tin(100~250u") Plating
On Solder Tail.



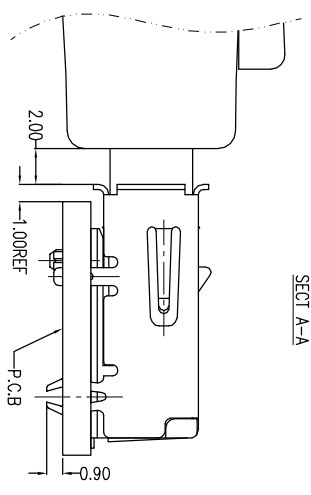
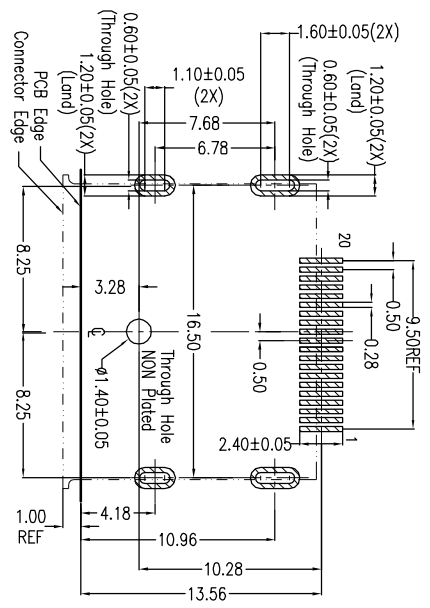
***Electrical Specification**
Operation Voltage: 40 VAC max.
Current Rating: 0.5 Ampere per contact
Contact Resistance: 30 mΩ max.
Insulation Resistance: 100 MΩ min.
Dielectric Withstanding Voltage: 500 VDC

***Environmental**
Operating Temperature: -20°C to +85°C

***How To Order**

WDPE-20F3L1BU 3

Series NO. 3: Tray 5: Reel
Number of Contacts Blank: No Mark
Gold A: Flash U: Lead Free
D: 15u" F: 30u"
3: SMT Type B: Brass
1: Black
L: LCP



慶崙企業股份有限公司
CHINSHONG ENTERPRISE CO., LTD.

GENERAL TOLERANCE :	Ang. ±3°	DRAWN :	SHC
X ±0.38		APPROVED :	
XX ±0.25			
XXX ±0.20			
UNIT: mm	SCALE: Free	DATE:	
PROJECTION:		VERSION:	C
DWG. NO. WDPE-20P5-AN-ND25			

TITLE	DisplayPort Receptacle (Female) SMT Type
PART NO.	WDPE-20F3L1BU 3

1 2 3 4 5 6 7 8